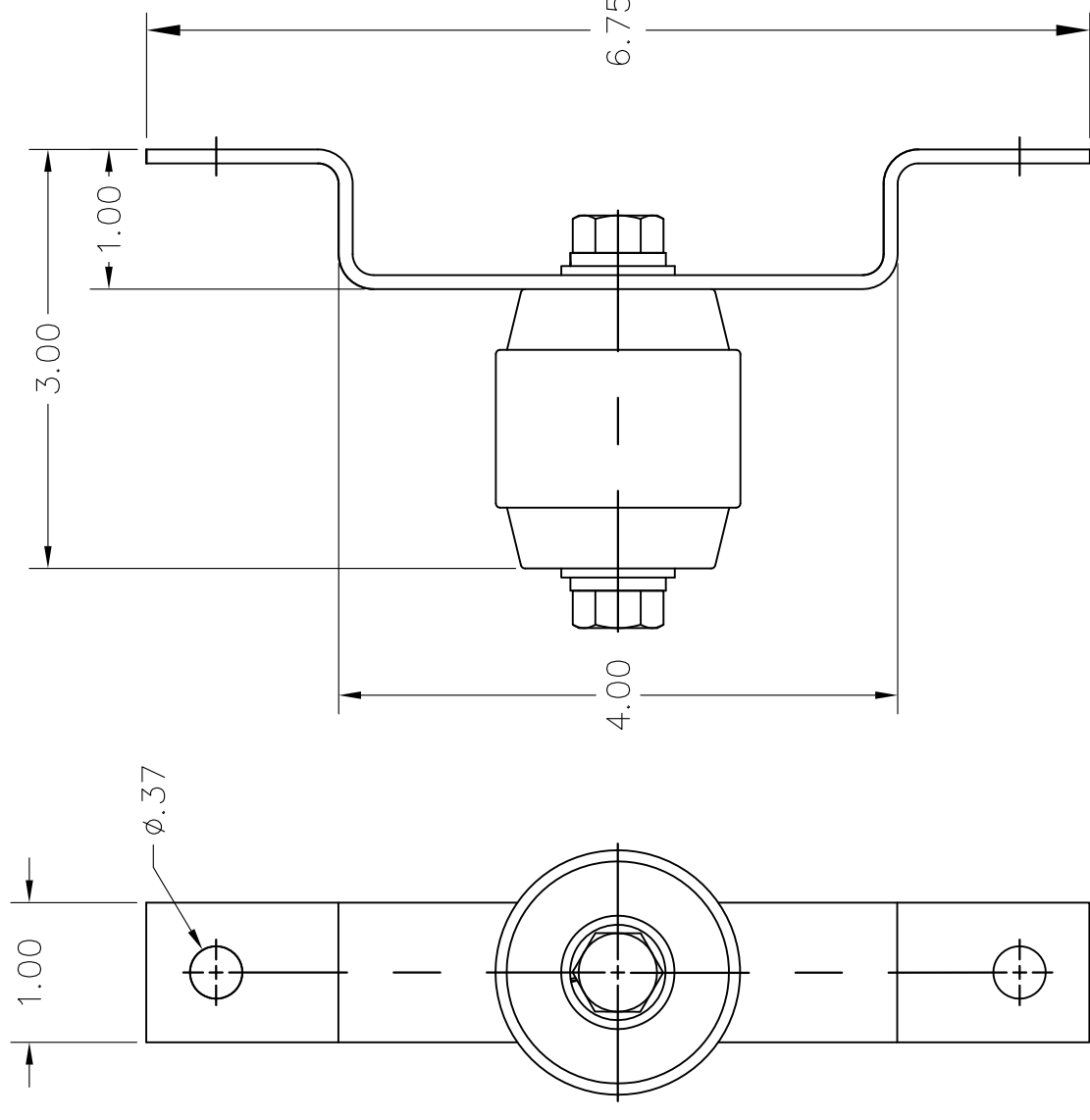


1 2 3 4 5 6

| | | | |
|-------------|---------|-------------|------------------------|
| CATALOG NO. | HGBSETH | DESCRIPTION | SUSPENDED BONDING HALO |
|-------------|---------|-------------|------------------------|

| ITEM | DESCRIPTION | QTY | "D", MAX. BUNDLE DIA. |
|------|------------------------------------|-----|-----------------------|
| 1 | 2500V INSULATOR | 1 | |
| 2 | STAINLESS STEEL BRACKET | 1 | |
| 3 | 3/8" HEX HEAD CAP SCREW | 2 | |
| 4 | 3/8" FLAT WASHER | 2 | |
| 5 | 3/8" LOCK WASHER | 2 | |
| 6 | CABLE HANGER, NATURAL (SEE FIG. 2) | 1 | .31 |
| 7 | CABLE HANGER, NATURAL (SEE FIG. 2) | 1 | .50 |
| 8 | CABLE HANGER, NATURAL (SEE FIG. 2) | 1 | .63 |
| 9 | CABLE HANGER, NATURAL (SEE FIG. 2) | 1 | .88 |



NOTE:
1. SPECIFICATION SUBJECT TO CHANGE WITHOUT NOTICE.

6 7 8 9

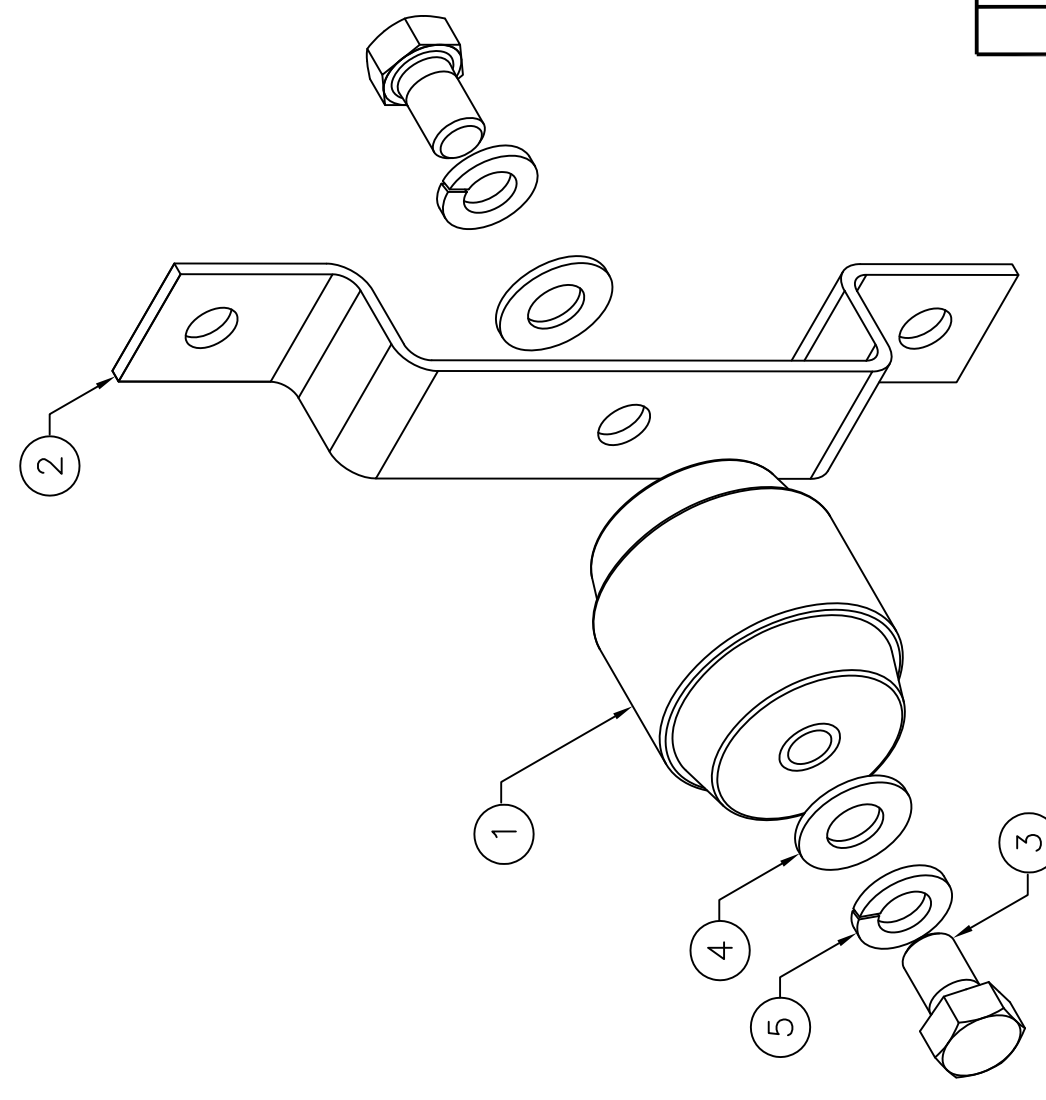


FIGURE 1

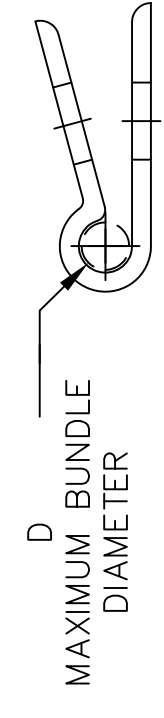
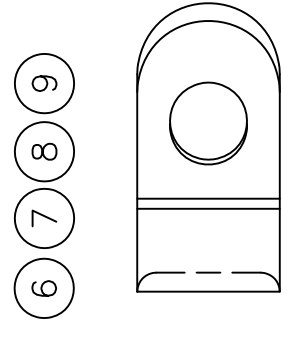


FIGURE 2

| | |
|---|-------------------------------------|
| DIMENSIONING AND TOLERANCE PER ANSI Y14.5M-1982 UNLESS OTHERWISE SPECIFIED, DIMENSIONS ARE IN INCHES (MM). TOLERANCES .XX = ±.01 (.25) .XXX = ±.005 (.127) .XXXX = ±.0025 (.0635) ANGLE TOL ±1° | PROJECT REFERENCE: 067-13 |
| | MATERIAL: SEE COMPONENTS |
| IN ACCEPTING OUR DRAWINGS, BLUEPRINTS, OR SUPPORTING DOCUMENTATION FOR QUOTATION OR OTHER PURPOSES, YOU AGREE NOT TO DISCLOSE TO OTHERS THE IDEAS, INFORMATION, OR DESIGNS SHOWN HEREIN, AND THAT YOU WILL MAKE NO USE OF SAME WITHOUT PERMISSION | DRAWN BY: M. ABBY 09/16/13 |
| | CHECKED BY: |
| | APPROVED BY: |

Created on AUTOCAD



Hubbell Premise Wiring
HUBBELL INCORPORATED (Delaware)
23 CLARA DRIVE, SUITE 103 MYSTIC, CT 06355

| | |
|--|---------------------------------|
| TITLE: GROUNDING AND BONDING INSULATED HALO HOLDER KIT | |
| SIZE C | DRAWING NO. HWS14365C |
| SCALE: N/A | SHEET 1 OF 1 |
| REV. 1 | |

| | | | | |
|------|-------|----------|-----------------|---------|
| 1 | 19342 | 09/24/13 | INITIAL RELEASE | MMA |
| REV. | ECN | DATE | DESCRIPTION | CHG BY |
| | | | | APPD BY |